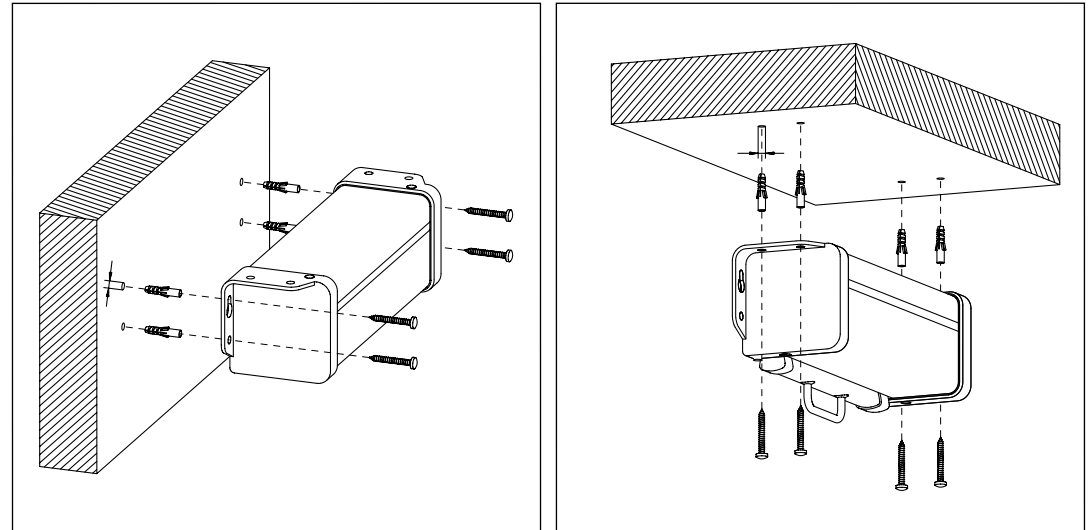


Manual Projection Screen Operation Manual



Mounting



Instructions

Mounting instructions

- Never pull down the screen fabric before the screen has been properly mounted.
- Always level the screen case for optimum flatness of the screen fabric.

Unfold the projection screen: pull downward the hand link, stop it in needed height, then use other extrinsic device hook to stabilize the hand link.

Fold the projection screen: pull gently downward to loose the hand link, then fold the projection screen upward naturally.

Warning: when unfold or fold the projection screen, the pulling force can not be oversized.